



OLYMPIA FAUCETS, INC.
 3325 S. Garfield Ave.
 Commerce, CA 90040
 (888) 772-7701
 www.olympiafaucets.com

INSTALLATION

Tools:



Adjustable Wrench



Plumbers Putty



Sealant Tape



Rags

Model Number: L-601X, L-601X-WD, L-602X, L-602X-WD, L-605X, L-605X-WD

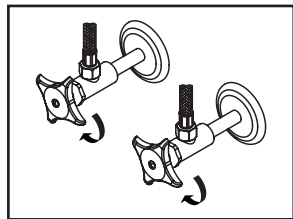


Warnings and Notes:

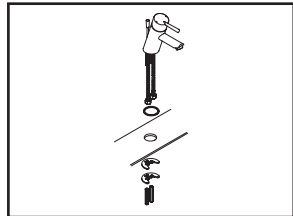
Check with local plumbing code requirements before installation. This product should be installed by a local listed plumber. **Do not use plumbers putty on threads.**

Installation Steps:

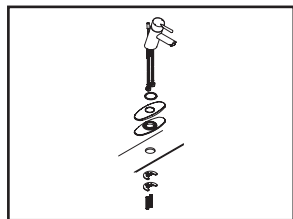
Single Handle Lavatory Faucet



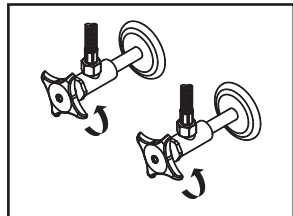
(1) Shut off water supply. Remove old faucet. Clean mounting surface in preparation for new faucet.



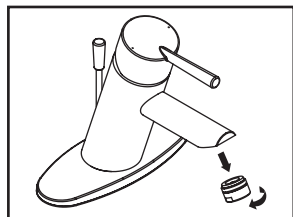
(2) **For 1-Hole Installation:**- Install mounting bolts to the bottom of faucet. Slide gasket over inlet supply hoses and mounting bolts, place faucet in position on the sink. Place mounting kit over mounting bolts under sink, rubber gasket first then metal bracket, secure mounting bolts with mounting nuts.



(3) **For 3-Hole Installation:**- Install mounting bolts to the bottom of faucet. Slide gasket and deck plate over inlet supply hoses and mounting bolts, place faucet in position on the sink. Place mounting kit over mounting bolts under sink, rubber gasket first then metal bracket, secure mounting bolts with mounting nuts.

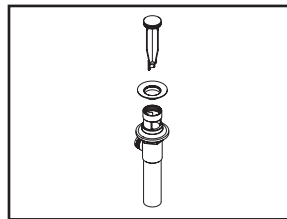


(4) Connect hot and cold inlet supply hoses to supply stops. For 1/2" connection; use 3/8" male to 1/2" female adapter for installation. Adapters are optional and not provided with faucet. Turn on both side supply stops.

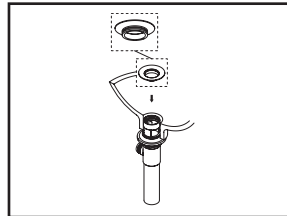


(5) Important: After installation is complete, turn on both supply stops, remove aerator and turn on handle, allow both hot and cold water to run at least one minute each. While water is running, check for leaks. Turn off handle and replace aerator.

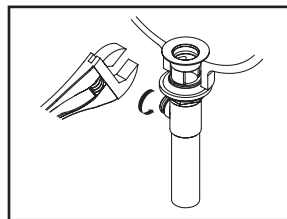
Pop-Up Drain Installation:



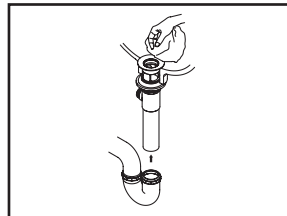
(1) Remove pop-up flange from body.



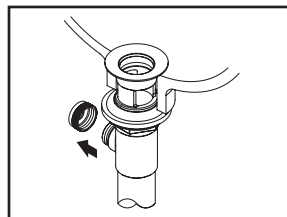
(2) Place a ring of plumbers putty on the bottom of flange.



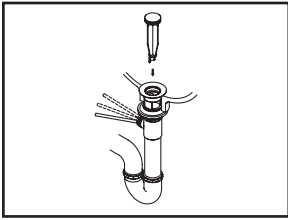
(3) Insert pop-up flange through drain hole and attach flange to body. Use Teflon tape to thread tail piece to Pop-up drain body. Ensure the pop-up outlet faces towards the back of the sink. Tighten the locknut securely with a wrench. Do not overtighten.



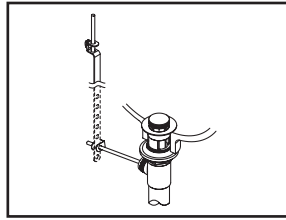
(4) Remove the excess plumbers putty. Connect the trap (check manufacturer's instructions for installation).



(5) Remove pivot rod nut from pop-up body, ensure the washers is in place, insert pivot rod, tighten pivot rod nut back to pop-up body.



(6) Push pivot rod down, insert drain plug carefully. Test to ensure drain plug works properly.

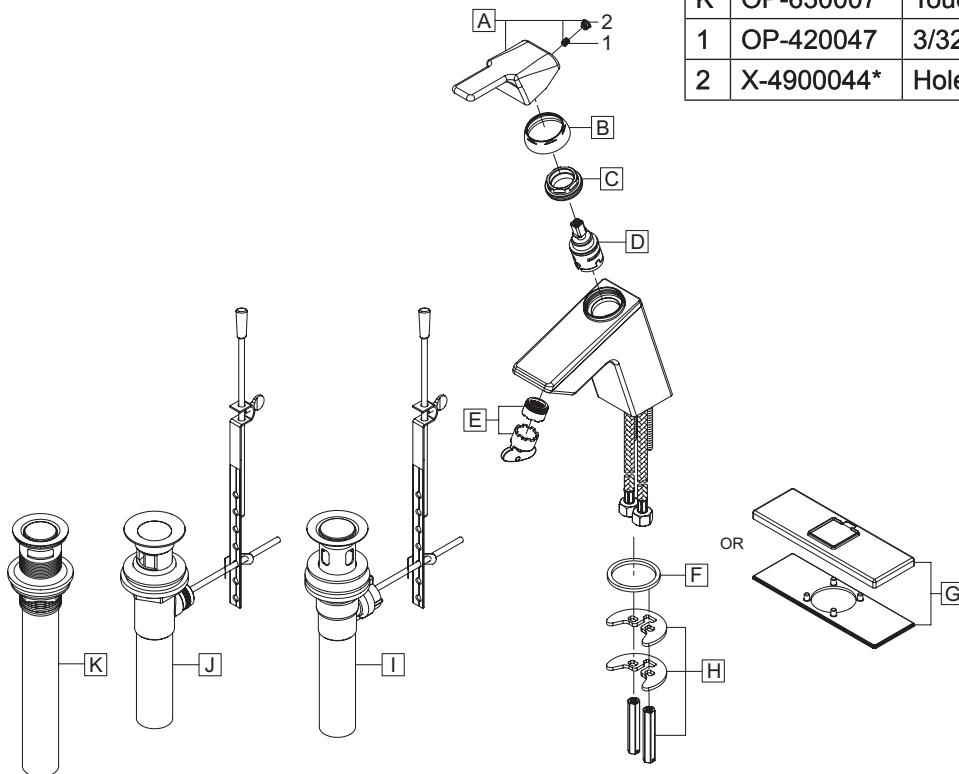


(7) Connect lift rod strap to pivot rod by using clip. Tighten the thumbscrew to connect lift rod strap to pop-up lift rod.

Exploded Drawing: (L-601X, L-601X-WD)

* Note: Please specify finish/color when ordering.

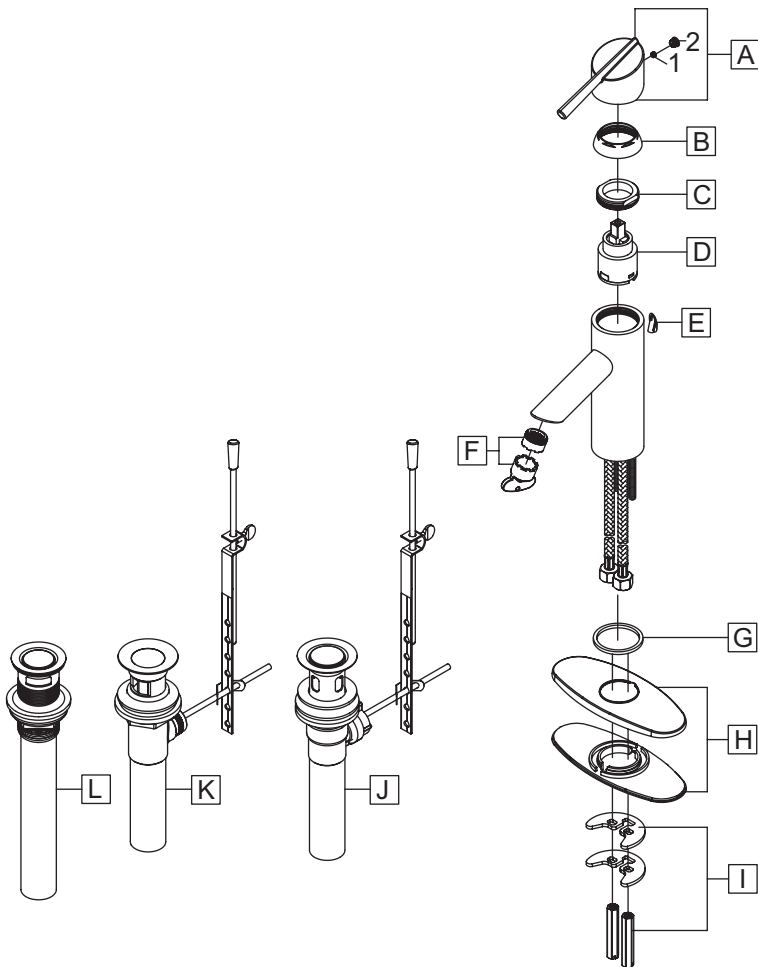
	ITEM #	DESCRIPTION
A	OP-130002*	Lever Handle
B	OP-430021*	Cap
C	OP-430032	Retainer Nut
D	X-3300006	Ceramic Disc Cartridge
E	OP-490062	1.2 GPM Aerator & Tool
F	OP-430033	Gasket
G	X-4300087*	Deck Plate (For L-6010-WD, L-6011-WD, L-6012-WD)
H	OP-530005	Mounting Kit
I	OP-630005*	50/50 Pop-Up Drain Assembly (For L-6010(-WD))
J	OP-630006*	Brass Pop-Up Drain Assembly (For L-6012(-WD))
K	OP-630007*	Touch Down Drain (For L-6013)
1	OP-420047	3/32" Allen Screw
2	X-4900044*	Hole Cover



Exploded Drawing: (L-602X, L-602X-WD)

* Note: Please specify finish/color when ordering.

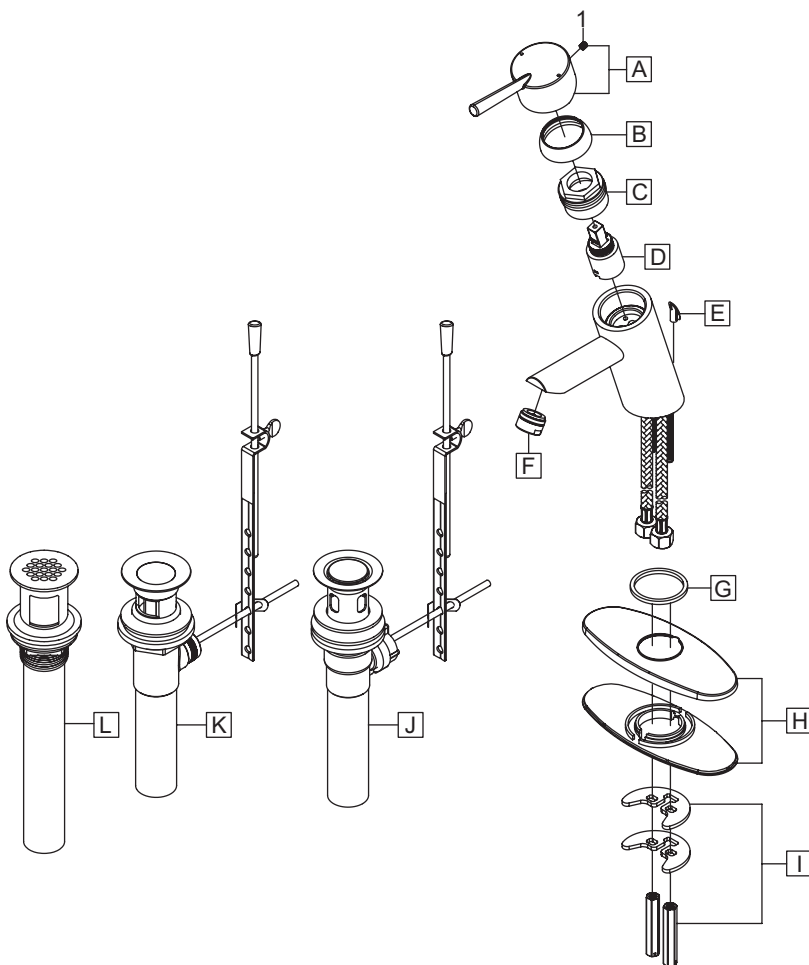
	ITEM #	DESCRIPTION
A	OP-130003*	Lever Handle
B	OP-430021*	Cap
C	OP-420042	Retainer Nut
D	OP-320002	Ceramic Disc Cartridge
E	OP-430023*	Hole Cover (For L-6021(-WD), L-6023)
F	OP-490062	1.2 GPM Aerator & Tool
G	OP-430025	Gasket
H	OP-430026*	Deck Plate (For L-6020-WD, L-6021-WD, L-6022-WD)
I	OP-530005	Mounting Kit
J	OP-630005*	50/50 Pop-Up Drain Assembly (For L-6020(-WD))
K	OP-630006*	Brass Pop-Up Drain Assembly (For L-6022(-WD))
L	OP-630007*	Touch Down Drain (For L-6023)
1	OP-420061	3/32" Allen Screw
2	X-4900044*	Hole Cover



Exploded Drawing: (L-605X, L-605X-WD)

* Note: Please specify finish/color when ordering.

	ITEM #	DESCRIPTION
A	OP-130001*	Lever Handle
B	OP-430031*	Cap
C	OP-430035	Retainer Nut
D	OP-390003	Ceramic Disc Cartridge
E	OP-430023*	Hole Cover (For L-6051(-WD), L-6051G(-WD))
F	OP-490063*	1.2 GPM Aerator
G	OP-430025	Gasket
H	OP-430026*	Deck Plate (For L-605X-WD)
I	OP-530005	Mounting Kit
J	OP-630005*	50/50 Pop-Up Drain Assembly (For L-6050(-WD))
K	OP-630006*	Brass Pop-Up Drain Assembly (For L-6052(-WD))
L	OP-630001*	Brass Grid Strainer Drain Assembly (For L-6051G(-WD))
1	OP-490029	3/32" Allen Screw



OLYMPIA

For more care information or trouble shooting inquiries
about your Olympia product, Please call:
OLYMPIA FAUCETS, INC. (888) 772-7701
Monday-Friday 8 AM to 8 PM EST (5 AM to 5 PM PST)
www.olympiafaucets.com